

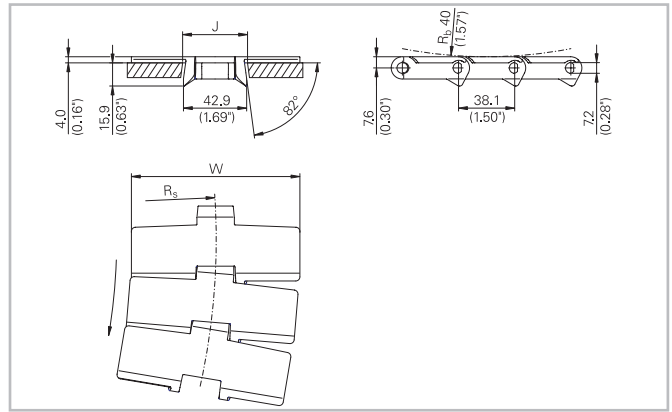
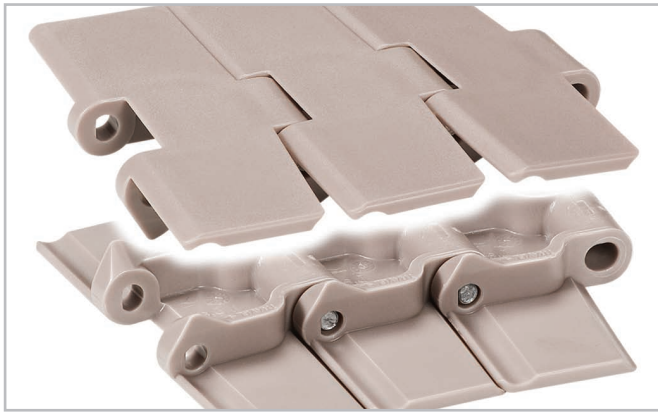
HabaCHAIN[®]

Slat Top 880B (Radius)



Description

- Radius running plastic bevel chain
- 880 hinge design = identical sprocket for 828, 879, 880, 890 series chains
- For side transfer with 820 and 828 series straight running chains



Chain data

| Habasit code | Width W | | Weight | | Nominal tensile strength F_N | | J (straight) | | J (curve) | | R_s | | Material |
|----------------|---------|------|--------|-------|--------------------------------|-----|--------------|------|-----------|------|-------|------|----------|
| | mm | inch | kg/m | lb/ft | N | lbf | mm | inch | mm | inch | mm | inch | |
| C0880K0325DPBA | 82.6 | 3.25 | 0.89 | 0.60 | 1900 | 428 | 44.5 | 1.75 | 41.3 | 1.62 | 457 | 18.0 | DP |
| C0880K0325LFBA | 82.6 | 3.25 | 0.89 | 0.60 | 1900 | 428 | 44.5 | 1.75 | 41.3 | 1.62 | 457 | 18.0 | LF |
| C0880K0325PTBA | 82.6 | 3.25 | 0.89 | 0.60 | 1900 | 428 | 44.5 | 1.75 | 41.3 | 1.62 | 457 | 18.0 | PT |
| C0880K0450DPBA | 114.3 | 4.50 | 1.04 | 0.70 | 1900 | 428 | 44.5 | 1.75 | 41.3 | 1.62 | 500 | 19.7 | DP |
| C0880K0450LFBA | 114.3 | 4.50 | 1.04 | 0.70 | 1900 | 428 | 44.5 | 1.75 | 41.3 | 1.62 | 500 | 19.7 | LF |
| C0880K0450PTBA | 114.3 | 4.50 | 1.04 | 0.70 | 1900 | 428 | 44.5 | 1.75 | 41.3 | 1.62 | 500 | 19.7 | PT |
| C0880K0750DPBA | 190.5 | 7.50 | 1.40 | 0.94 | 1900 | 428 | 44.5 | 1.75 | 41.3 | 1.62 | 610 | 24.0 | DP |
| C0880K0750LFBA | 190.5 | 7.50 | 1.40 | 0.94 | 1900 | 428 | 44.5 | 1.75 | 41.3 | 1.62 | 610 | 24.0 | LF |
| C0880K0750PTBA | 190.5 | 7.50 | 1.40 | 0.94 | 1900 | 428 | 44.5 | 1.75 | 41.3 | 1.62 | 610 | 24.0 | PT |

Pin material: stainless steel

- Standard packaging: 3.048 m = 10 ft
- The weight specification is indicative
- Other materials on request

Related products

- Multi-Hub 880 Sprocket-Rims
- Multi-Hub Inserts
- Solid Sprockets - Series 880
- Solid Idlers-Series 810

Options

- Plastic pin

For further information and availability please contact your local Habasit partner.

HabaCHAIN[®]

Slat Top 880B (Radius)



Disclaimer

Product Application Disclaimer (valid for ALL Habasit products and mentioned on all PDS)

This disclaimer is made by and on behalf of Habasit and its affiliated companies, directors, employees, agents and contractors (hereinafter collectively "HABASIT") with respect to the products referred to herein (the "Products"). SAFETY WARNINGS SHOULD BE READ CAREFULLY AND ANY RECOMMENDED SAFETY PRECAUTIONS BE FOLLOWED STRICTLY! Please refer to the Safety Warnings herein, in the Habasit catalogue as well as installation and operating manuals. All indications / information as to the application, use and performance of the Products are recommendations provided with due diligence and care, but no representations or warranties of any kind are made as to their completeness, accuracy or suitability for a particular purpose. The data provided herein are based on laboratory application with small-scale test equipment, running at standard conditions, and do not necessarily match product performance in industrial use. New knowledge and experience may lead to re-assessments and modifications within a short period of time and without prior notice.

EXCEPT AS EXPLICITLY WARRANTED BY HABASIT, WHICH WARRANTIES ARE EXCLUSIVE AND IN LIEU OF ALL OTHER WARRANTIES, EXPRESS OR IMPLIED, THE PRODUCTS ARE PROVIDED "AS IS". HABASIT DISCLAIMS ALL OTHER WARRANTIES, EITHER EXPRESS OR IMPLIED, INCLUDING, BUT NOT LIMITED TO, IMPLIED WARRANTIES OF MERCHANTABILITY, FITNESS FOR A PARTICULAR PURPOSE, NON-INFRINGEMENT, OR ARISING FROM A COURSE OF DEALING, USAGE, OR TRADE PRACTICE, ALL OF WHICH ARE HEREBY EXCLUDED TO THE EXTENT ALLOWED BY APPLICABLE LAW. BECAUSE CONDITIONS OF USE IN INDUSTRIAL APPLICATION ARE OUTSIDE OF HABASIT'S CONTROL, HABASIT DOES NOT ASSUME ANY LIABILITY CONCERNING THE SUITABILITY AND PROCESS ABILITY OF THE PRODUCTS, INCLUDING INDICATIONS ON PROCESS RESULTS AND OUTPUT.